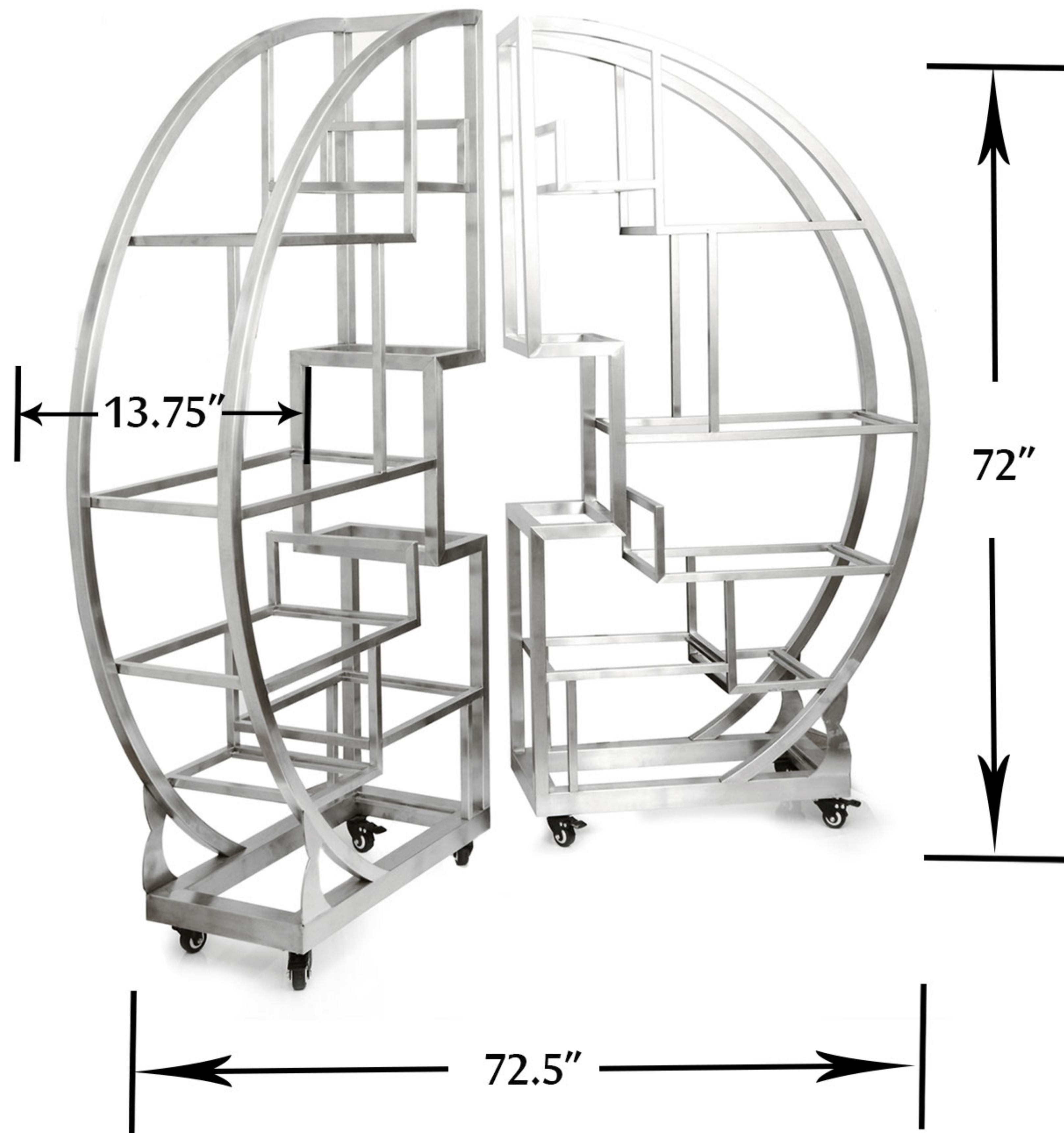


Cartwheel Mobile Buffet

Spec Sheet



ST1790 (Standard)

Cartwheel Set with Glass Shelves

AC1790

Cartwheel Set with Acrylic Shelves

AC1790BK

Cartwheel Set with Black Acrylic Shelves

Features :

Each Half Moon Display Designed with 7 Shelves

Stainless Steel Single Piece Construction

Shelves Firmly Set into Stainless Steel Frames

Locking Caster Wheels add Safety and Stability

Smooth Wheeling over all Surfaces

Double Sided Accesibility

XYLO Custom Finishes Available

Includes 14 Shelves

2 of Each :

16 1/2" x 12 1/4"

7 1/2" x 12 1/4"

24 1/8" x 12 1/4"

19 1/8" x 12 1/4"

7 1/8" x 12 1/4"

23 5/8" x 9 3/4"

14 7/8" x 12 1/4"